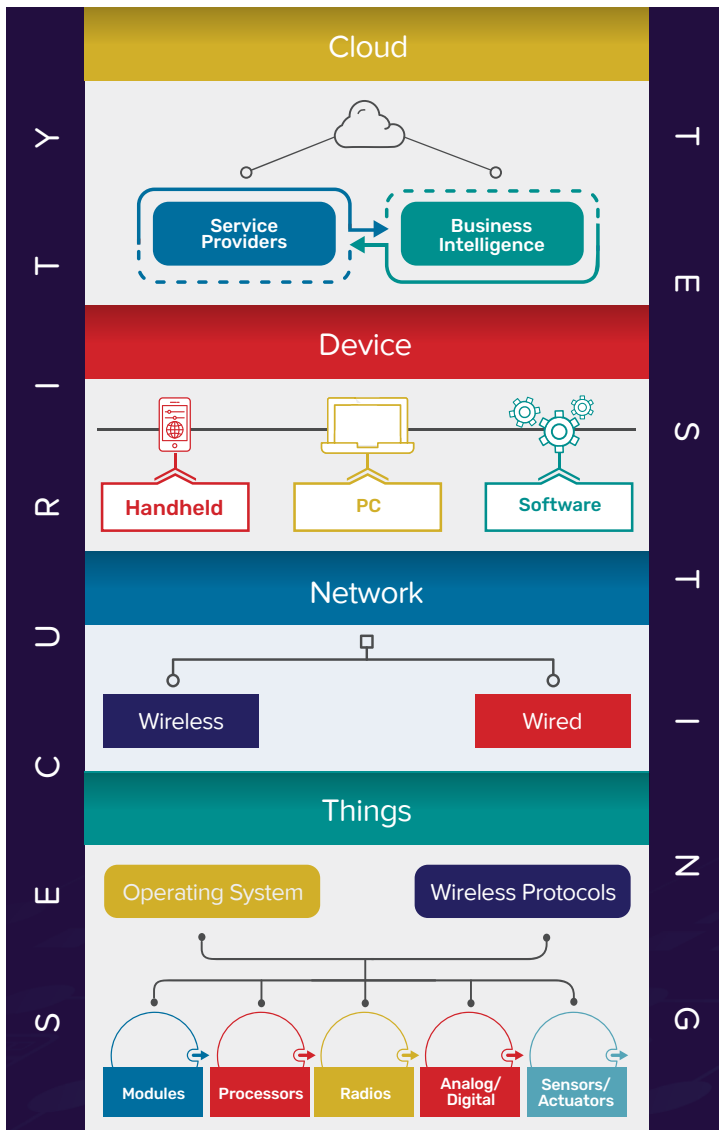




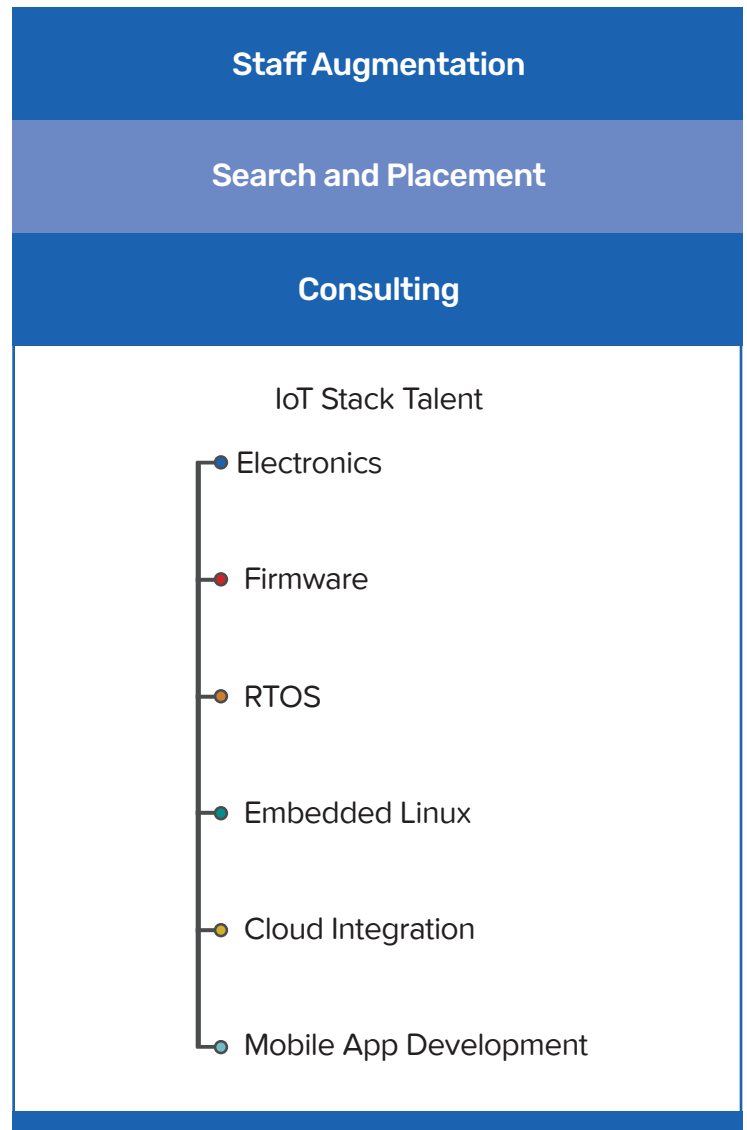
## World-Class Embedded Systems

**USA Firmware** is a Design Services and Talent Solutions company specializing in hardware, software, electronics and embedded firmware.

### Design Services



### Talent Solutions



Learn more at [usafirmware.com](http://usafirmware.com)

# Why USA Firmware




## Onshore Experts

- Assess Complex Problems
- Non-advocate Reviews
- Architecture Optimizations



## Continuous Optimization

- Reduce Development Time
- Simplify Architectures
- Cut Sustaining Costs

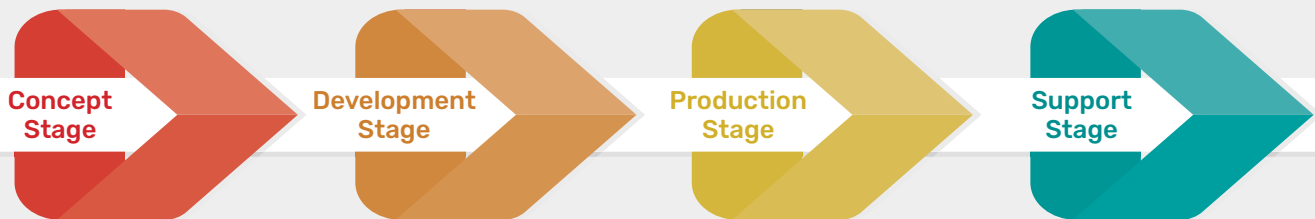


## Engineering Culture

- All NPD Phases
- Creative Execution
- Quality Deliverables

We understand how to bring complex projects to completion.

(ISO/IEC/IEEE 15288:2015)



## USA Firmware Leadership



**Bob Scaccia**  
Founder and CEO

- Firmware Design and Engineering
  - System Architecture and Design
  - Electrical Engineering
- [bob.scaccia@usafirmware.com](mailto:bob.scaccia@usafirmware.com)



**Bill Merkel**  
President

- Product Development
  - Industrial Automation
  - Program Management
- [bill.merkel@usafirmware.com](mailto:bill.merkel@usafirmware.com)



**Suzanne Nebe Mullenhour**  
Director of Talent Solutions

- Relationship Management
  - Talent Recruiting
  - Workforce Development
- [suzanne.nebe@usafirmware.com](mailto:suzanne.nebe@usafirmware.com)